

PORTABLE PRO POOL 2

MAX WEIGHT CAPACITY: 350LBS [160kg]

US PATENT NO. D507,769 S

USE THIS MANUAL FOR PART #'s:
F-PPP2 / F-PPP2-T / F-PPP2-G / F-PPP2-C
F-PPP2S / F-PPP2S-T / F-PPP2S-G / F-PPP2S-C

MANDATORY
LEAVE THIS MANUAL WITH OWNER

Read and follow all instructions.
Lift safety can only be ensured if the lift is installed and operated according to these instructions.

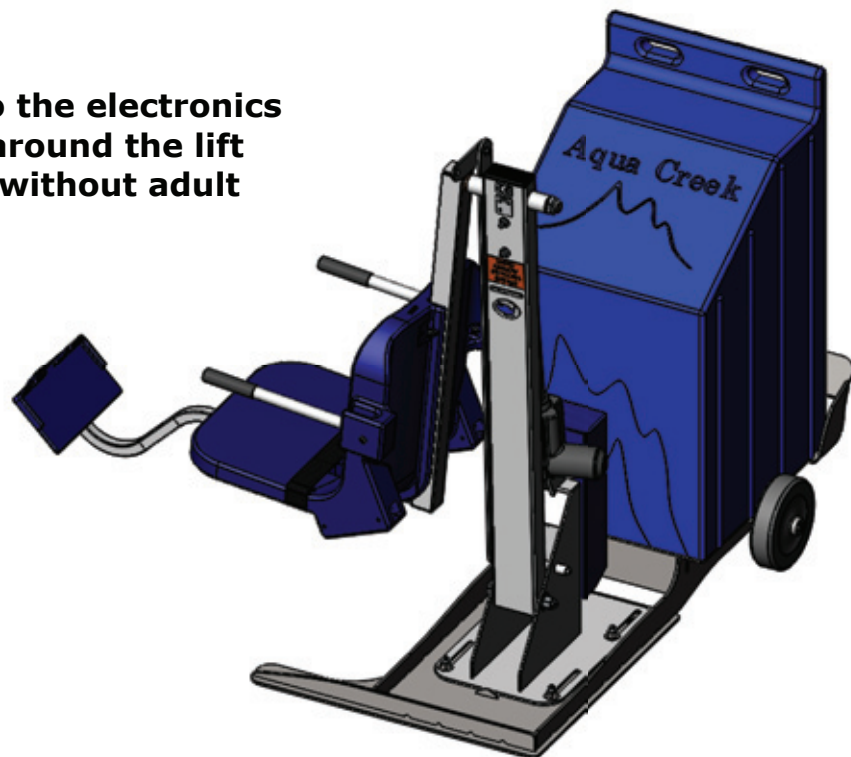
- **FOR SAFETY REASONS**
- **NEVER** swim alone
- **NEVER** use the lift with a dry pool
- **NEVER** apply direct water pressure to the electronics
- **NEVER** permit children to play on or around the lift
- **DO NOT** allow children to use the lift without adult supervision

READ CAREFULLY

Check entire box and all packing materials for parts. Before beginning assembly, read the instructions and identify parts using the figures and parts listed in this document.

It is critical that all parts be carefully inspected prior to installation. If any damage occurred in transit, Aqua Creek Products, LLC must be notified within three days of receipt of unit.

Proper installation cannot be overstressed, as an improper installation voids Aqua Creek's warranty and may affect the safety of the user.



Portable Pro Pool 2 Lift

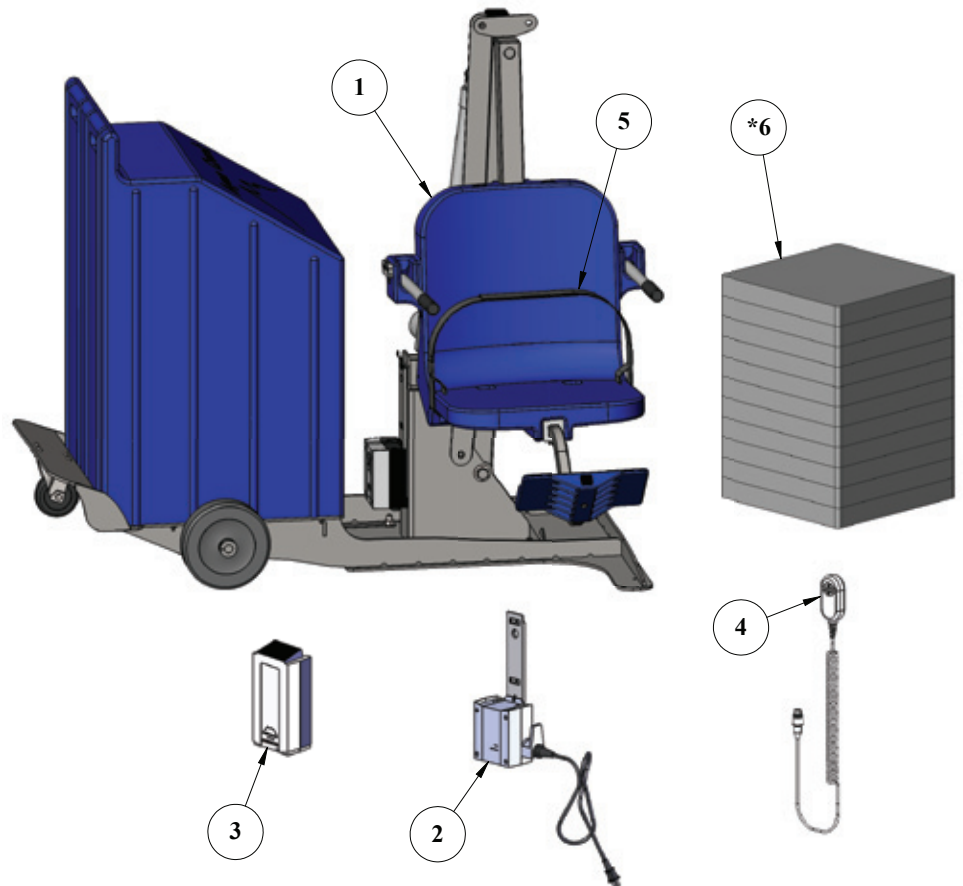
Table of Contents

PAGE	DESCRIPTION	PAGE	DESCRIPTION
2	Portable Pro Pool 2 Components	8	Portable Pro Pool 2 Lift Parts List
3-5	Portable Pro Pool 2 Assembly Instructions	9	Portable Pro Pool 2 Cart Parts List
6	Basic Troubleshooting	10	Warranty
7	Proper Care of Pool & Spa Lifts		

Portable Pro Pool 2 Components

1. PORTABLE PRO POOL 2 LIFT
2. LINAK BATTERY CHARGER
3. 24V LINAK BATTERY
4. LINAK HANDSET REMOTE
5. SEAT BELT
6. 11 CONCRETE WEIGHT PLATES*

only if weight plate version of lift was purchased

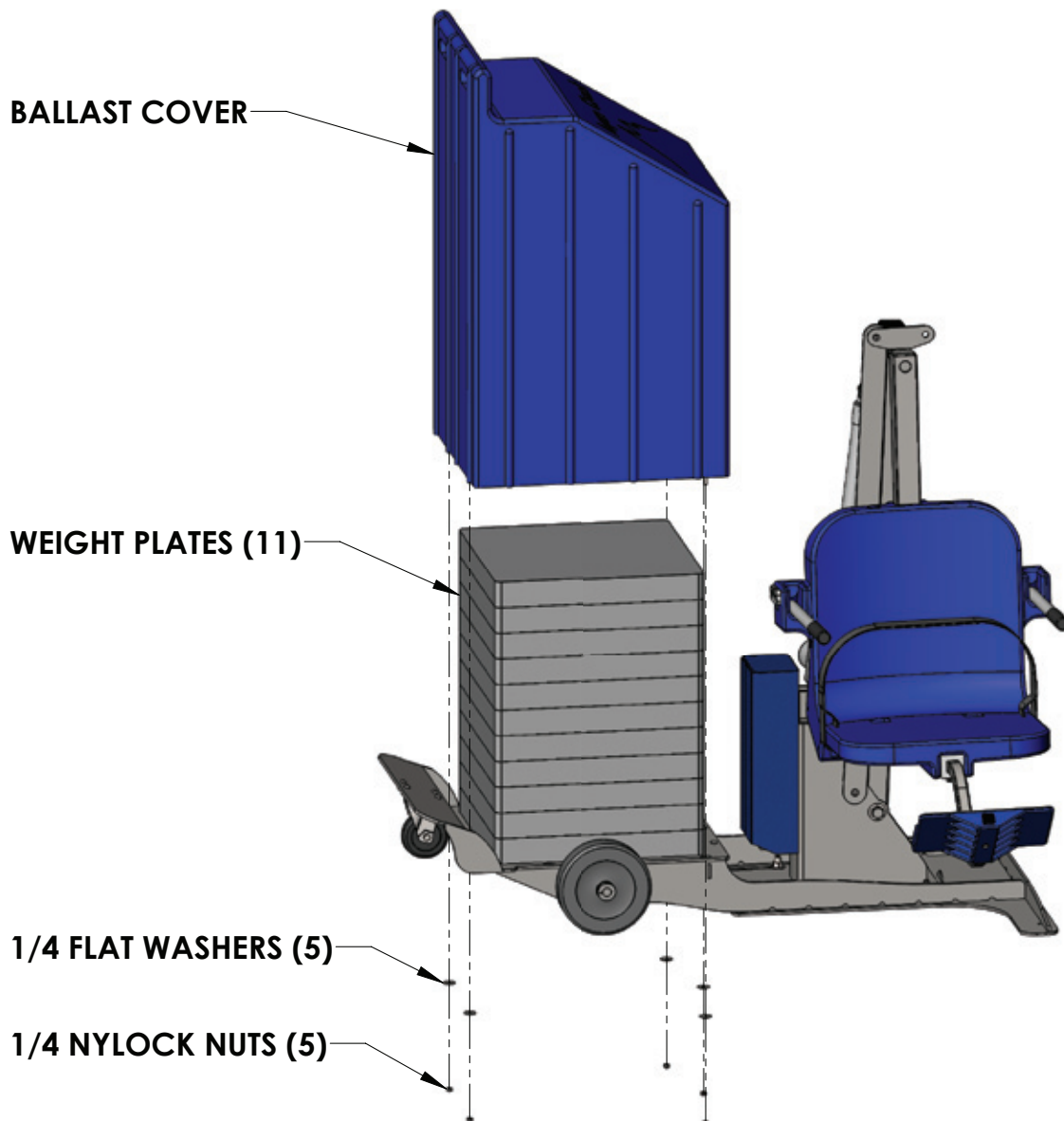


Portable Pro Pool 2 Assembly Instructions (Weight Plates)

TOOLS REQUIRED:

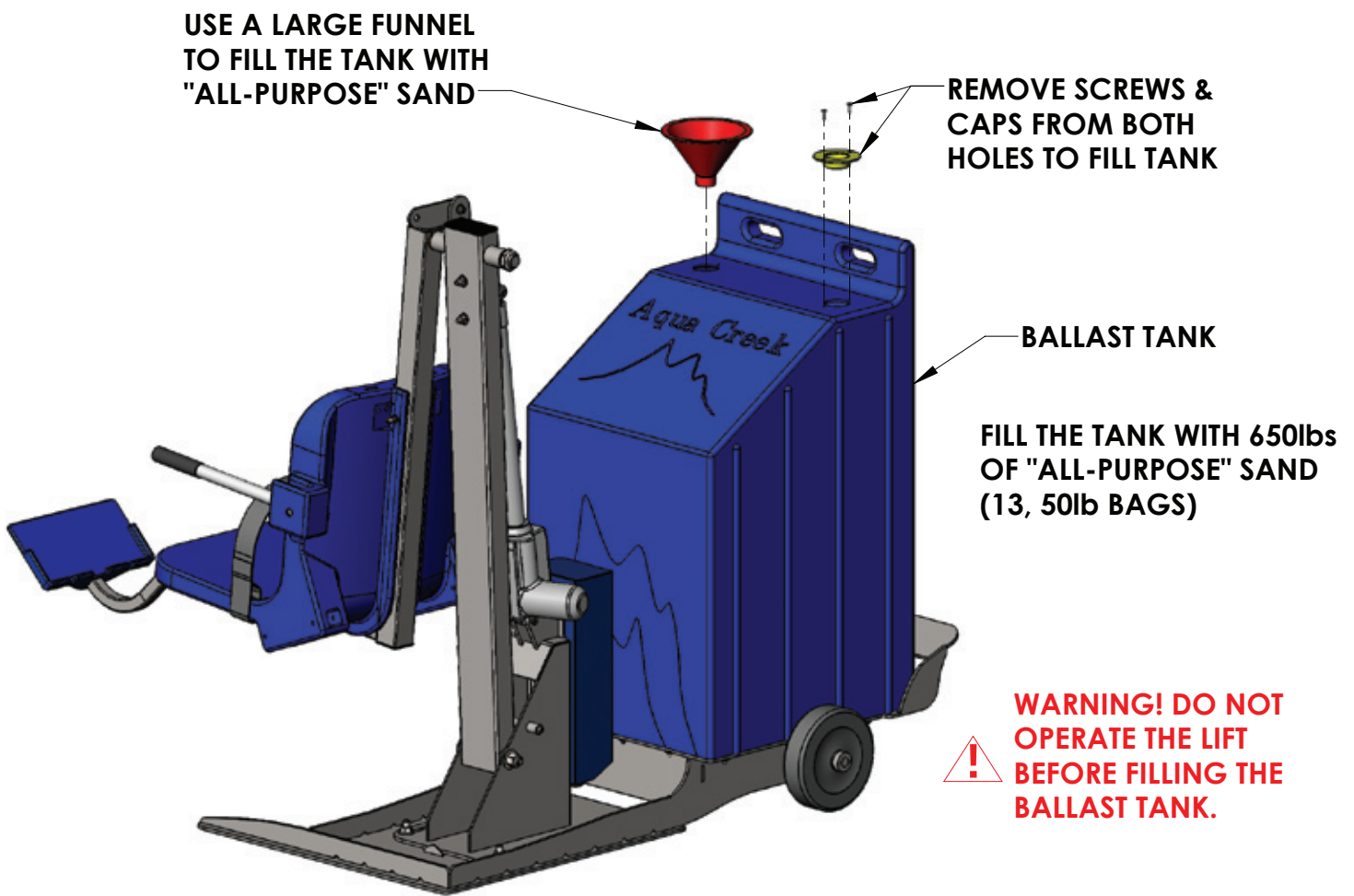
- 7/16" wrench

1. Using a 7/16" wrench, remove the five (5) nylock nuts and flat washers that are currently holding the hood onto the platform. These were installed strictly for shipping purposes and can be thrown away. Remove the hood and set aside.
2. Begin stacking the eleven (11) supplied weight plates on the portable platform. To ensure proper alignment, slide the hood over the stack every three (3) or four (4) plates. Continue this until all eleven (11) weight plates are in place.
3. Using a 7/16" wrench, slide the hood over the stack of weight plates and attach to the platform using the five (5) supplied 1/4" nylock nuts and flat washers. **NOTE: Be sure to use silicone to seal the flange before bolting together.**



Portable Pro Pool 2 Assembly Instructions (Sand Ballast)

1. Fill the ballast tank with sand (not included) as shown below. Gently shake or tap the tank sides periodically to help level the sand. Alternate between fill ports to make sure sand is evenly distributed (use a large funnel to help in this step).
2. Once all the sand has been poured into the tank, return the caps to the top of the tank and attach them with the screws.
3. With the counter weight now in place, roll the lift to the desired location on the pool deck.



Portable Pro Pool 2 Assembly Instructions

4. Attach seat belt to the seat as shown in diagram to the right.
5. Place the battery on the charger and bring to a full charge.
6. Apply dielectric grease on the metal tabs of the battery and the control box on the lift.
7. Mount the battery onto the control box on the lift and snap the battery into place. Listen for a 'click' when the battery is installed properly. There should be no gap between the battery and control box. See FIGURE 1.

NOTE: To extend battery life, always store battery on the charger when the lift is not in service.



ATTACH FULLY CHARGED BATTERY



CONTROL BOX

FIGURE 1

Basic Troubleshooting

Problem: The lift won't move.

Solution:

1. Make sure the battery is properly seated:

You should hear a click when the battery is properly seated on the control box or charger.



NOT Properly Attached:
Note: the white bracket is in front of the silver clip, which will not allow for an electrical connection



Properly Attached:
Note: the white bracket is behind the silver clip, holding it securely to allow for an electrical connection

2. Make sure the cords are properly plugged in:



NOT Properly Inserted:
The cord plug is flush with or sticking out of the outlet



Properly Inserted:
The cord plug is recessed into the outlet

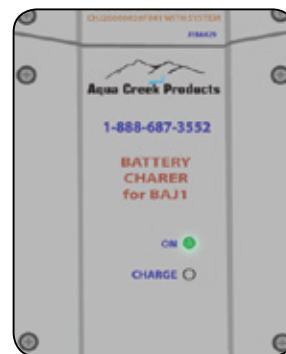
Check the ends of the cords for corrosion or damage. The cord plugs should be recessed into the outlet. You should feel them pop into place when they are correctly inserted.

3. Check the contact points:



Make sure the contact points of the control box and the battery are not damaged or corroded. If there is corrosion clean with Scotch-Brite™ pad. Put some dielectric grease on the contact points before reattaching the battery.

4. Make sure the battery is fully charged:



The Charger is ON when the green light is glowing
The Battery is CHARGING when the orange light is glowing
When the Battery is charged the orange light will stop glowing

Problem: The lift stopped moving over the water and is stuck.

Solution:

1. Press the emergency button

Use a pen or pencil tip and stick it into the emergency button on the front of the control box to retract the lift.

Note: the lift will not retract if the battery is not fully charged or if the control box is not working. The emergency button only overrides the remote handset.



FOR TROUBLESHOOTING ASSISTANCE



Proper Care of Pool & Spa Lifts

PROCEDURE	BEFORE EACH USE	DAILY	WEEKLY	MONTHLY
Check battery level indicator on control box	✓			
Run the lift through a complete test cycle (fully extend actuator) to verify it is functioning properly	✓			
Wash lift with fresh water and dry with clean, soft, non-abrasive cloth		✓		
Recharge battery		✓		
Visually inspect lift for damage, corrosion, and loose or missing hardware		✓		
Check all contact points for damage and/or corrosion			✓	
Repair, clean and apply dielectric grease to all contact points			✓	
Thoroughly clean lift frame and apply a liberal coat of car wax to maintain the lift's finish				✓
Check all Warning and Cautionary labels to make sure they are not faded or worn. Replace as needed.				✓

PROPER CARE NOTES

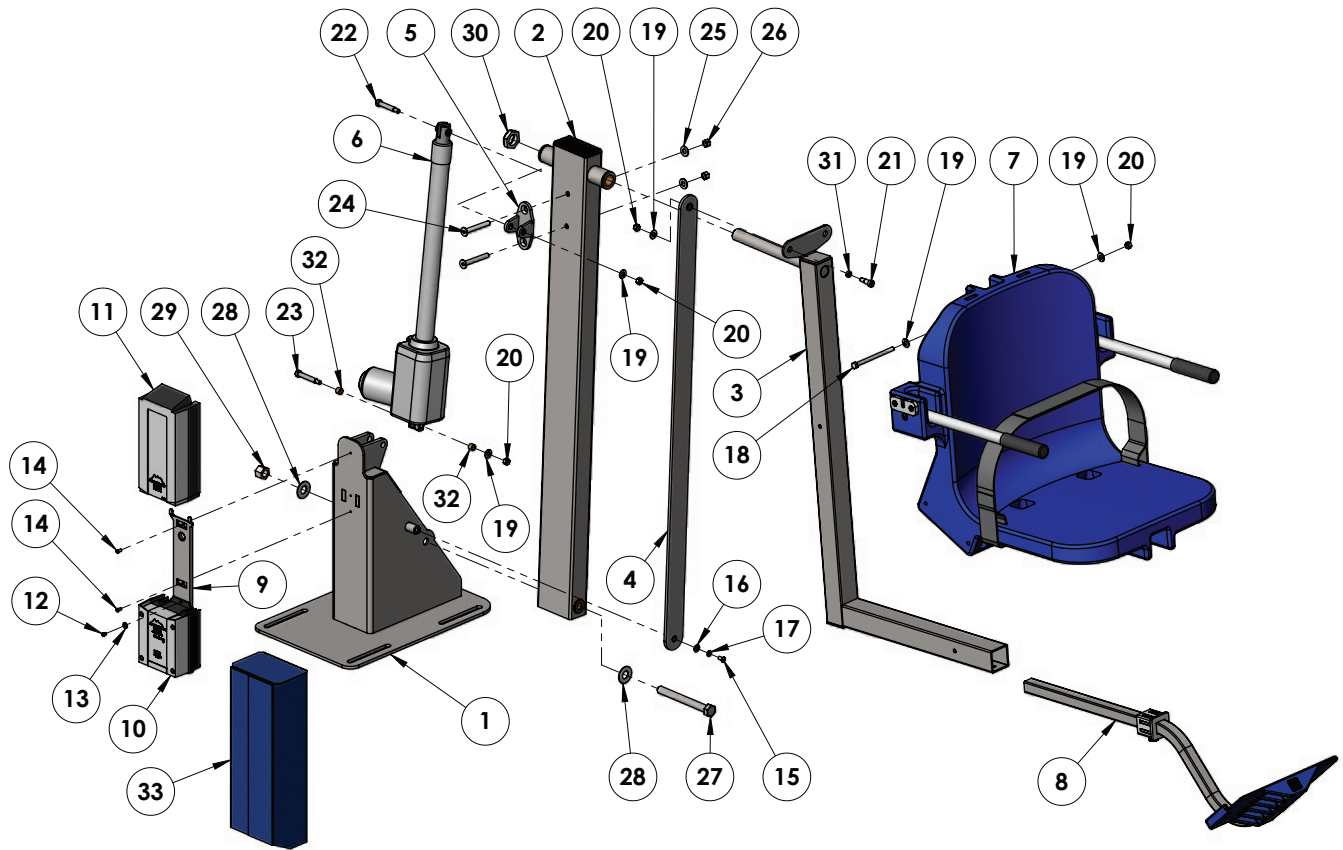
- **Use only fresh water to wash your lift. Do not wash with pool water.**
- Use only clean, soft, non-abrasive cloths on your lift.
- Do not store lift in pump room or near chemicals.
- Do not allow children to play on or around this lift.
- When cleaning the lift, do not spray water directly on control box or battery.
- The lift may need to be bonded according to local code requirements.
- If the lift is not used for extended periods, remove the battery from the lift and store it on the wall charger to maintain the batteries charge. The charger should be plugged in and in a climate controlled area.

STAIN REMOVAL TIPS:

To remove stubborn stains from finish, spray affected area with mild dish soap, rub briskly with a 3M Scotch Brite™ pad. Use white epoxy paint to touch up the finish. Apply wax to protect when dry.

For service and/or replacement parts, contact Aqua Creek Products
Toll free: (888) 687-3552

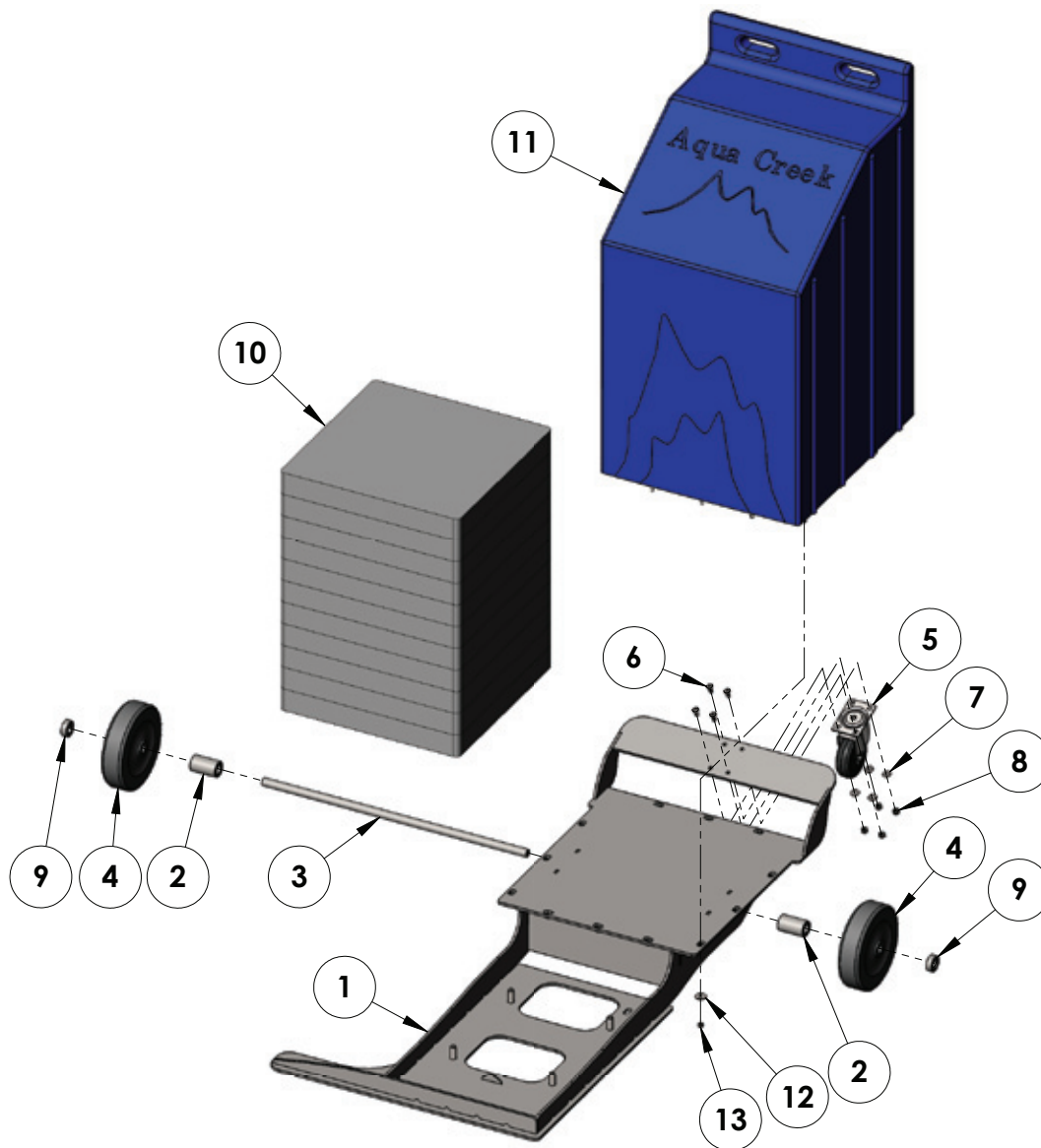
Portable Pro Pool 2 Lift Parts List



ITEM #	QTY	PART #	DESCRIPTION
1	1	PF2-100-02	BASE WELDMENT
2	1	PF2-200-03	MAIN FRAME ASSEMBLY
3	1	PF2-300-03	CHAIR CRADLE ASSEMBLY
4	1	PF2-400-04	CONTROL ARM
5	1	PF2-500-00	BRACKET ASSEMBLY
6	1	340665-00	LINAK 400MM PULL ACTUATOR
7	1	F-0904CA-A	CHAIR ASSEMBLY
8	1	F-FRB-03	FOOTREST ASSEMBLY
9	1	MBJ2-01	LINAK CONTROL BRACKET
10	1	CBJ2-U033-00	LINAK CONTROL BOX
11	1	BAJ1-U026-00	24V LINAK BATTERY
12	1	M5 LPCS	CONTROL BOX SCREW
13	1	WF 10	#10 FLAT WASHER
14	2	BSH 10 X 3/8	10-24 X 3/8 SHCS
15	1	BB 1/4 X 1/2	1/4-20 X 1/2 BHSCS
16	1	WF 1/4	1/4 FLAT WASHER

ITEM #	QTY	PART #	DESCRIPTION
17	1	WL 1/4	1/4 LOCK WASHER
18	1	BH 5/16 X 4 1/2	5/16-18 X 4 1/2 HCS
19	5	WF 5/16	5/16 FLAT WASHER
20	4	NN 5/16	5/16-18 NYLOCK NUT
21	1	BS 3/8 X 9/16	3/8 X 9/16 SHOULDER BOLT
22	1	BS 3/8 X 1 3/4 18-8	3/8 X 1 3/4 SHOULDER BOLT
23	1	BS 3/8 X 2 18-8	3/8 X 2 SHOULDER BOLT
24	2	BC 3/8 X 3	3/8-16 X 3 FHSCS
25	2	WF 3/8	3/8 FLAT WASHER
26	2	NN 3/8	3/8 NYLOCK NUT
27	1	BH 5/8 X 5 7/8 18-8	5/8 X 5 7/8 HCS
28	2	WF 5/8	5/8 FLAT WASHER
29	1	NN 5/8	5/8 NYLOCK NUT
30	1	NNJ 1	1" NYLOCK JAM
31	1	BRB EP060803	3/8 X 1/2 X 3/16 SLEEVE BUSHING
32	2	BRB SS-1216-6	1/2 X 3/8 X 3/8 BRONZE SLEEVE
33	1	F-UBC	BATTERY COVER

Portable Pro Pool 2 Cart Parts List



Item #	QTY	PART #	DESCRIPTION
1	1	PP2-100WM-00	PORTABLE PRO POOL 2 CART WELDMENT
2	2	PP2-109-00	WHEEL SPACER
3	1	PP2-110-00	AXLE SHAFT
4	2	5.00008.459.2.SSRB	WHEEL, RUBBER, PERFORMA, SS BEARING
5	1	2NF100SA	4" SS CASTER ASSEMBLY
6	4	BB 5/16 X 3/4	BOLT, 316 SS, 5/16-18 X 3/4 BHSCS
7	4	WF 5/16	WASHER, FLAT, 5/16, 316 SS
8	4	NN 5/16	NUT, 316 SS, NYLOCK, 5/16-18
9	2	LOCK COLLAR 3/4 SS	LOCK COLLAR, 3/4, SS, SINGLE SPLIT
*10	11	WP-60	WEIGHT PLATE, CONCRETE, 2" x 18" x 18"
11	1	A-985B	COVER ASSEMBLY
12	5	WFE 1/4	WASHER, FENDER, 316 SS, 1/4 X 1
13	5	NN 1/4	NUT, 316 SS, NYLOCK, 1/4-20

*only if weight plate version of lift was purchased

AQUA CREEK PRODUCTS, LLC LIMITED FIVE (5) YEAR WARRANTY:
PORTABLE PRO POOL 2 LIFT

(ITEM #'s F-PPP2, F-PPP2-T, F-PPP2-G, F-PPP2-C, F-PPP2S, F-PPP2S-T, F-PPP2S-G, F-PPP2S-C)

Aqua Creek Products, LLC (a.k.a. Aqua Creek) warrants to the original end user purchaser that products manufactured by Aqua Creek, when properly installed in accordance with assembly and installation instructions, and properly used and maintained, shall be free from defects in material and workmanship for a period of **five (5) years from the date of original purchase**, provided that Aqua Creek receives prompt notice in writing of any defect or failure and satisfactory proof thereof, with the following exception(s):

Exceptions:

- All electrical components, including the linear actuator shall have the following warranty period:
 - Year 1-2: 100% Coverage
 - Year 3: 60% Coverage (Customer is responsible for 40% of replacement cost)
 - Year 4: 50% Coverage (Customer is responsible for 50% of replacement cost)
 - Year 5: 40% Coverage (Customer is responsible for 60% of replacement cost)
- Hydraulic actuators and mesh slings shall have a warranty period of **one (1) year from the date of original purchase**.
- Powder coat finish scratches, scrapes, corrosion, or dents from customers normal use, negligence, or abuse

This warranty specifically excludes reimbursement for labor to remove, repair, or install the product and any shipping charges. These warranties do not cover any damages due to accident, force majeure, act of nature, misuse, abuse, negligence or failure to properly maintain any products, or normal wear and tear from day to day operations. In the event that any products are altered, repaired, or improperly installed or improperly used by anyone without the prior written approval by Aqua Creek, all warranties are void. **IMPORTANT: AMOUNT OF WEIGHT PLACED ON LIFT SHALL NOT EXCEED THE RATED LIFTING CAPACITY FOR THE LIFT. NEVER OPERATE THE LIFT UNDER LOAD IN A DRY POOL (WITH NO WATER IN THE POOL).** It is the responsibility of the lift owner to verify the weight of the patron for warranty claim purposes and to ensure that the lift is not overloaded. Non-payment for product to Aqua Creek may void warranty.

To initiate a warranty claim, the owner of an Aqua Creek product must provide the place of purchase, in writing, with a full description of the product, its serial number, the dates of purchase and installation, and the exact nature of the defect. Within thirty (30) days after receipt of a written warranty claim by Aqua Creek, and barring any unforeseen delays, the place of purchase will be notified of Aqua Creek’s decision regarding the claim.

If requested by Aqua Creek, any defective product must be returned, freight prepaid by customer, to Aqua Creek’s designated factory location or duly appointed distributor for inspection and/or repair. Aqua Creek will, at its option, repair or replace the failed or defective item, and deliver the repaired product or replacement to the customer. All freight charges are the responsibility of the customer. Products returned to Aqua Creek for which Aqua Creek provides replacement under this limited warranty shall become the property of Aqua Creek. A new warranty period shall **NOT** be established for the repaired or replaced products. Such products shall remain under warranty only for the remainder of the original warranty period on the original products purchased.

This written limited warranty constitutes the final, complete and exclusive statement of warranty terms. No person or organization is authorized to make any other specific or implied warranties or representations on behalf of Aqua Creek.

THE WARRANTIES SET FORTH HEREIN ARE IN LIEU OF ALL OTHER WARRANTIES, EXPRESSED OR IMPLIED, WHICH ARE HEREBY DISCLAIMED AND EXCLUDED, INCLUDING WITHOUT LIMITATION ANY WARRANTY OF MERCHANTABILITY OR FITNESS FOR A PARTICULAR PURPOSE OR USE.

THE SOLE AND EXCLUSIVE REMEDIES FOR BREACH OF ANY AND ALL WARRANTIES WITH RESPECT TO THE PRODUCTS SHALL BE LIMITED TO REPAIR OR REPLACEMENT AT AQUA CREEK’S DESIGNATED FACTORY LOCATION, OR DULY APPOINTED DISTRIBUTOR, OR IN PLACE AT AQUA CREEK’S OPTION. IN NO EVENT SHALL AQUA CREEK’S LIABILITY EXCEED THE ENTIRE AMOUNT PAID TO AQUA CREEK BY THE ORIGINAL PURCHASER FOR THE FAILED OR DEFECTIVE PRODUCT.

IN NO EVENT SHALL AQUA CREEK PRODUCTS, LLC BE LIABLE FOR ANY INCIDENTAL, CONSEQUENTIAL, SPECIAL, INDIRECT, PUNITIVE OR EXEMPLARY DAMAGES OR LOST PROFITS FROM ANY BREACH OF THIS LIMITED WARRANTY OR OTHERWISE.

THIS WARRANTY GIVES YOU SPECIFIC LEGAL RIGHTS AND YOU MAY ALSO HAVE OTHER RIGHTS, WHICH MAY VARY FROM STATE TO STATE. SOME STATES DO NOT ALLOW THE EXCLUSION OR LIMITATION OF INCIDENTAL, SPECIAL OR CONSEQUENTIAL DAMAGES, SO SOME OF THE ABOVE LIMITATIONS OR EXCLUSIONS MAY NOT APPLY TO YOU.

Aqua Creek Products, LLC
9889 Garrymore Lane
Missoula, MT 59808
Toll Free: (888) 687-3552
Local/Intnl: (406) 549-0769
www.aquacreek.com

LIFT / INSPECTION INFORMATION

Test Date:	For Additional Support Assistance Call:
Pool Lift Model Here:	Toll Free: 888-687-3552
Serial Number:	International: 1+ 406-549-0769
Inspected by:	

Find additional troubleshooting info and videos at: <https://aquacreekproducts.com/help-center/trouble-shooting/>

Maintenance Notes:

Please read and fill out all information carefully

Improper use and/or maintenance of a pool lift can lead to actuator and/or other mechanical failures and possible personal injury. Please read and follow the product operators' manual and the instructions below.

- **NOTE: Completely cycle the lift without a load before each use to verify the lift is functioning properly.**
- Product service life depends on the load characteristics, type and frequency of use, and the environment in which the product is being used. For example, persons not calmly sitting but falling down with their full body weight in the chair, or using the pool lift's chair as a diving platform can cause premature actuator failure and/or possible personal injury.
- Based on historical product service life analysis, Aqua Creek recommends replacing the actuator(s) and other electronic components after 5 years of service. Check component serial numbers and purchase records to verify the age of your components.
- A functional weight lifting force of a maximum of 100 lbs must be periodically verified by applying a non-live load (without a person) through the entire operating cycle of the lift. This process is performed in order to verify the smooth operation. Make note of any unusual noises or sudden movements coming from the actuator(s) or other components. **Note:** In some lifts, a sudden quick movement at the beginning of the cycle is normal but should smooth out over the course of operation.
- Creating a side load on the actuator by pushing and/or pulling on the actuator, especially under load conditions, can cause damage to the actuator and/or personal injury.
- Electronic components are designed to be plug-and-play type replacements. There is no need to access the internal mechanisms in these components. The actuator, battery, and all electronic components may only be disassembled by authorized factory-trained personnel. Disassembly of electronic components by improperly trained and unauthorized persons will void the warranty on those components.
- The operator of the pool lift should never allow the pool lift to hit any stationary object either vertically or horizontally while operating a pool lift, i.e. walls, ceiling, pool/spa bench, etc.
- For quick and accurate troubleshooting and inspections, we recommend having a voltage meter, Vito Battery Check Cable (Item F-VTC002) and an Aqua Creek Test Light (Item F-01TL) on hand as well as adequate test and replacement components for the unit.
- Remove the pool lift from service immediately if any unusual noise is heard coming from the actuator such as grinding, popping or sudden inconsistent movements.
- Immediately remove from service any lift that does not have 100% compliance with the inspection until the appropriate corrections have been made by a qualified person.



Aqua Creek Products Annual Pool Lift Safety INSPECTION REPORT

1. Overall Visual Inspection

Corrosion is common with anything in a swimming pool environment; even stainless steel. Proper and regular maintenance and cleaning will prevent most instances of corrosion. **Replace any components that have corrosion caused pitting, cracking, thinning of the base metal, or other instances of corrosion that can't be eliminated and/or minimized through a thorough cleaning.** Refer to product manual for additional maintenance instructions. Make comments and/or recommendations in the notes area below each section.

Inspection Item	Pass	Fail	N/A
a. Anchor bolts, concrete around anchors, etc... are in good condition. No cracks in concrete, missing hardware, and anchors are installed correctly.			
b. The fixing anchor is installed correctly and is in good condition.			
c. Powder coated components are clean, corrosion free, and in good overall condition. Clean and repair any missing powder coat finish. Apply a coat of wax on the cleaned and repaired finish.			
d. Welded Joints show no signs of cracks or fatigue. Replace any non-compliant components			
e. Hardware is present, secure, and not corroded (bolts, nuts, bushings, etc...).			
f. All wiring routing clips are present and in good condition.			
g. All product warning labels are present and legible.			
h. Plastic seat, foot rest, and other plastic components are present and in good shape.			
i. Arm rest hand grips are present, in good condition, and are well secured to the arms.			
j. Electronic and Lift covers are present and in good condition (Lift covers are highly recommended for outdoor installations).			
k. Inspect rotation gears for any damage or missing teeth. Inspect rotation motor gear and alignment to ensure proper rotation of the lift.			
l. Inspect lift slings, seat belts, and other similar stitched and webbed or weaved materials for damage, fatigue, and/or deterioration. Replace at first sign of any fatigue or damage.			

NOTES/RECOMMENDATIONS:



Aqua Creek Products Annual Pool Lift Safety INSPECTION REPORT

2. Electronics Inspection

Most electronic issues are due to poor electrical connections and/or a defective battery. **Always remove the battery and place on the charger when the lift is not in use. NOTE: Even if your lift is equipped with a solar charger, it is a good idea to place the battery on the wall charger periodically or during extended periods of non-use or storage.** Before testing the battery, charge overnight. A voltage meter is required for this section and a known GOOD handset controller is helpful. An Aqua Creek electronics test light is also highly recommended (Order item F-01TL). Make comments and/or recommendations in the notes area below each section.

Inspection Item	Pass	Fail	N/A
a. Battery contact points are free of damage and/or corrosion. Dielectric grease is present on all contact points to prevent corrosion. ALWAYS STORE BATTERY ON THE CHARGER WHEN LIFT IS NOT IN USE!			
b. Battery level indicator (if equipped) on control box is functioning properly when battery is installed on lift.			
c. Using the voltage meter check the voltage on the battery. A good battery should read between 24v and 28v DC. Note: Vito batteries will require a test cord (F-VTC002)			
d. Using the test light, confirm continuity through the control box by plugging the light into the control box in place of the actuator and press the buttons on the controller and the control box itself (if applicable). If light does not light up with handset, replace handset with a known good one and try to see if it lights up.			
e. Once the battery is fully charged up to 24 to 28 volts, cycle the lift (up, down, rotate) counting the cycles. If the battery is in good condition, the lift should easily complete at least 15 cycles without a load.			

NOTES/RECOMMENDATIONS:



Aqua Creek Products Annual Pool Lift Safety INSPECTION REPORT

3. Physical Pool Lift Test

A physical test of the lift function is required when doing an annual inspection. NOTE: The lift should always be run through a complete cycle without a load prior to each use. The annual test should be ran both empty and with a typical load weight to test the lifts functions. Make comments and/or recommendations in the notes area below each section.

<i>Inspection Item</i>	Pass	Fail	N/A
a. With all connections connected, operate the lift though a complete cycle without weight to confirm the lift is functioning correctly. Note any strange noises and any unusual operation.			
b. Verify the lift was installed correctly; is the lift free to travel in and out of the pool without hitting anything like a wall, rail, bench, etc..			
c. Rotate lift at least 90 degrees over the water and back again if applicable			

NOTES/RECOMMENDATIONS